

Alignment	Rear	Front
Ride Height		
Camber	N/A	
Caster		N/A
Rear Hub Toe		
Toe		
Hex Spacing		
Wheelbase		
Steering Link	N/A	
Bumpsteer	N/A	

Notes:

Differentials
Type
Setting
Belt Tension Number
Cam Holder

Notes:

Tires
Tire Diameter
Insert & Wheel Additive & Amount

Notes:

Shocks
Oil
Piston Rebound
Spring

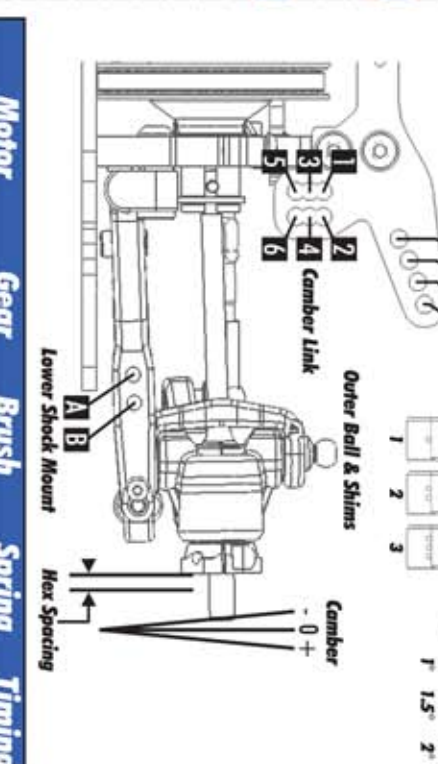
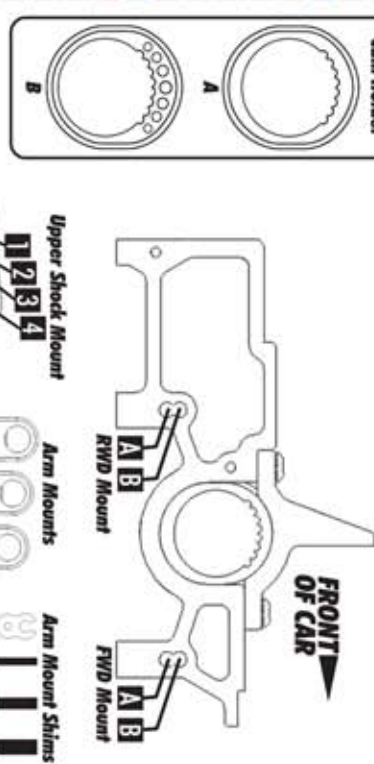
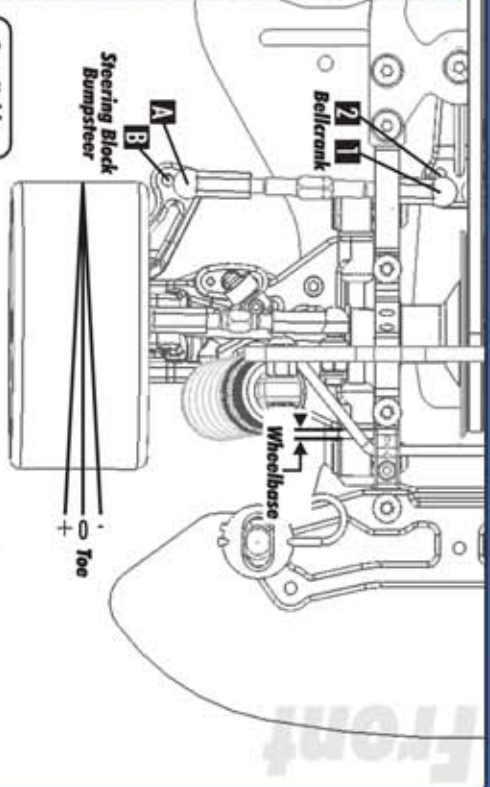
Notes:

Chassis
Chassis:
Top Plate:

Notes:

Suspension Geometry
Shock Position
Camber Link Position
Outer Ball & Shims
FWD Arm Mount
FWD Mount Shims
RWD Arm Mount
RWD Mount Shims
Droop
Anti-Roll Bar

Notes:



Motor	Gear	Brush	Spring	Timing
-------	------	-------	--------	--------

Body & Wing

Battery
